



**BC-1R Cabinet Weight:** 29lbs.(without batteries)

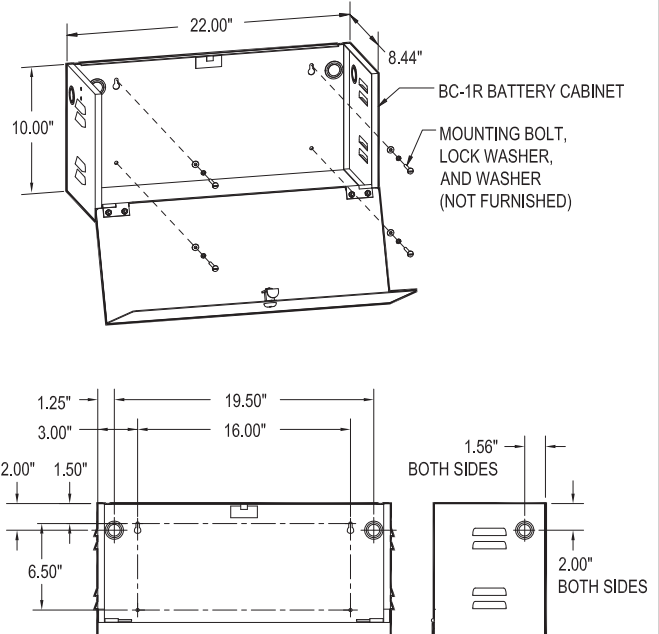
## Features

- ▶ Accommodates up to 75AH Batteries
- ▶ Conduits Knock outs on Enclosure Sides
- ▶ Heavy Duty 16 Gage Steel

## Description

The BC-1R Battery Cabinet is a 16 gage steel equipment cabinet used to accommodate up to 75AH batteries. The cabinet is designed for use with all LSN 2000 modules. Conduit knockouts are provided on either side of the cabinet. When installing the BC-1R cabinet, the following must be considered:

- Local mounting codes.
- The physical size and weight of cabinet.



## Ordering Information

Model No.	Part No.	Description
BC-1R	03748	Battery Cabinet

It is our intention to keep the product information up to date and accurate. We cannot cover all specific applications or anticipate all requirements. All specifications are subject to change without notice. For more information contact: FIRECOM, INC.