



BC-2V Cabinet Weight: 29lbs.

Ordering Information

Model No.	Part No.	Description
BC-2V	76747	Battery Cabinet

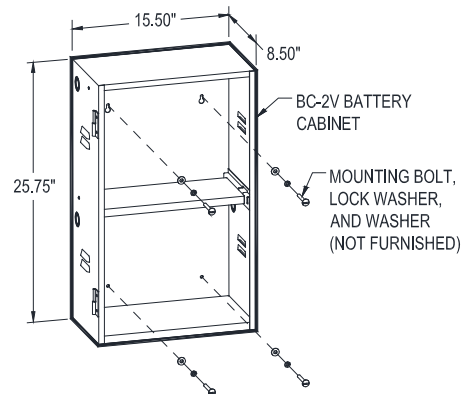
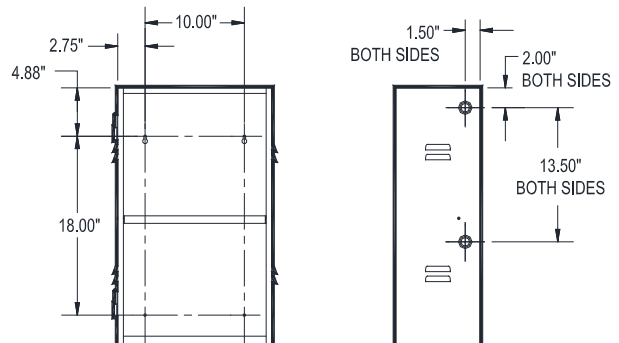
Features

- ▶ Accommodates up to 100 AH Batteries
- ▶ Conduits Knock outs on Cabinet Sides
- ▶ Heavy Duty 16 Gage Steel

Description

The BC-2V Battery Cabinet is a 16 gage steel equipment cabinet used to accommodate up to 100 AH batteries. The cabinet is designed for use with all LSN 2000 modules. Conduit knockouts are provided on either side of the cabinet. When installing the BC-2V cabinet, the following must be considered:-

- Local mounting codes.
- The physical size and weight of cabinet.



It is our intention to keep the product information up to date and accurate. We cannot cover all specific applications or anticipate all requirements. All specifications are subject to change without notice. For more information contact: FIRECOM, INC.